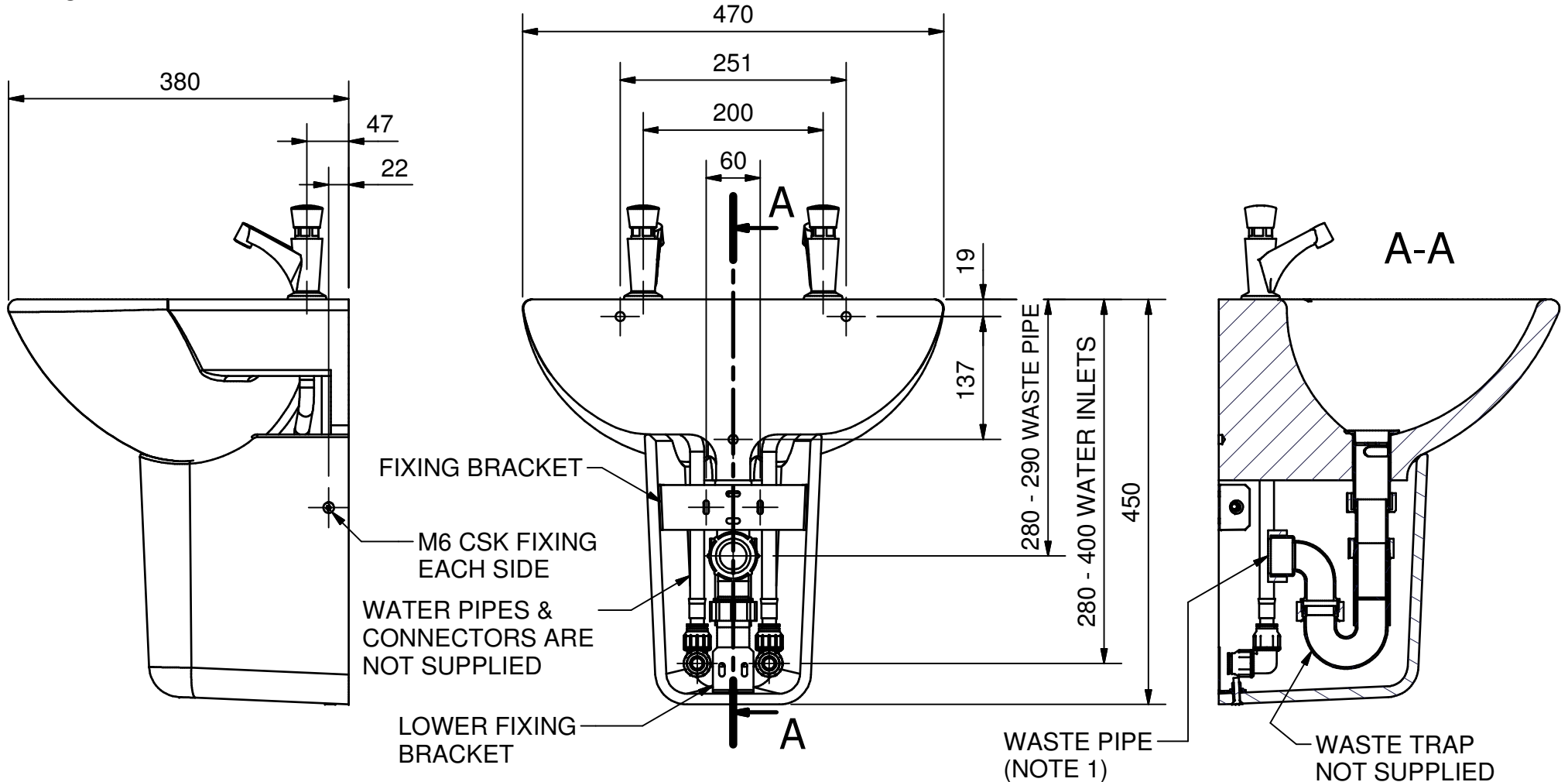


NOTES:

1. THE BASIN SUITS A 1 1/4" WASTE OUTLET ONLY. IF A LARGER WASTE PIPE IS REQUIRED AN ADAPTOR CAN BE USED AFTER THE WASTE TRAP.
2. THE SHROUD PART NUMBER IS SHBS01 TO SUIT AN SHB_05 BASIN.
3. REFER TO DRAWING INS_SHBS01_TEMPLATE FOR FURTHER SHROUD INSTALLATION DETAILS.

REVISION HISTORY				
REV	DATE	DESCRIPTION	BY	CHKD
2	12/12/2012	REAR FIXINGS MOVED	RD	



© 2011 Copyright THIS DRAWING IS THE PROPERTY OF WALLGATE LIMITED AND IS ISSUED ON THE STRICT UNDERSTANDING THAT THE INFORMATION CONTAINED WILL NOT BE REPRODUCED, COPIED OR USED WITHOUT PRIOR AGREEMENT OF WALLGATE LTD.

Wallgate

TITLE: SHB_05 BASIN WITH SHBS01 SHROUD

MATERIAL:

Drg No: SHBS01 WITH SHB_05 SHEET 1
Model/Client/Project:

FINISH:

Limits: (unless stated)
± 0.25mm (sheetmetal)
± 0.10mm (machined)
± 2.00mm (pattern)
± 5.00mm (moulded)

All dimensions in mm,
All angles 90° (unless stated)

Scale: NTS

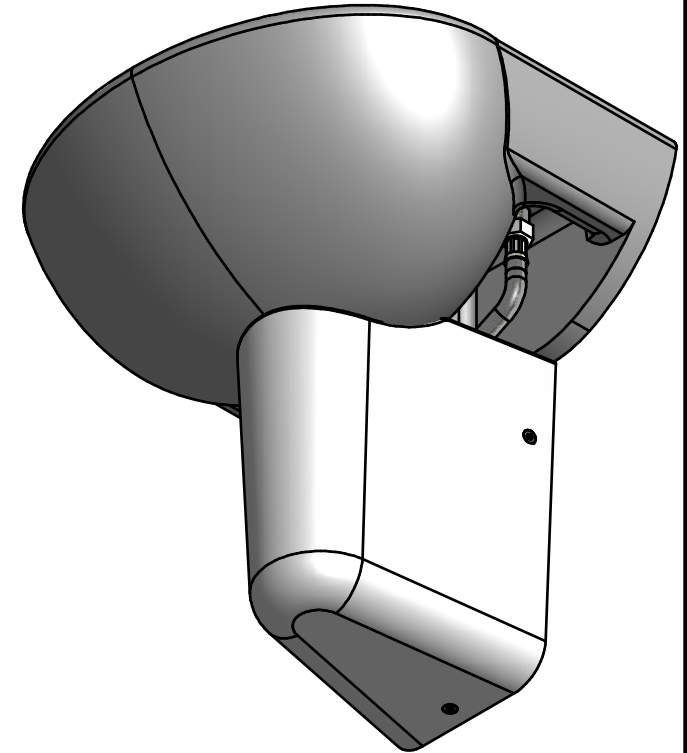
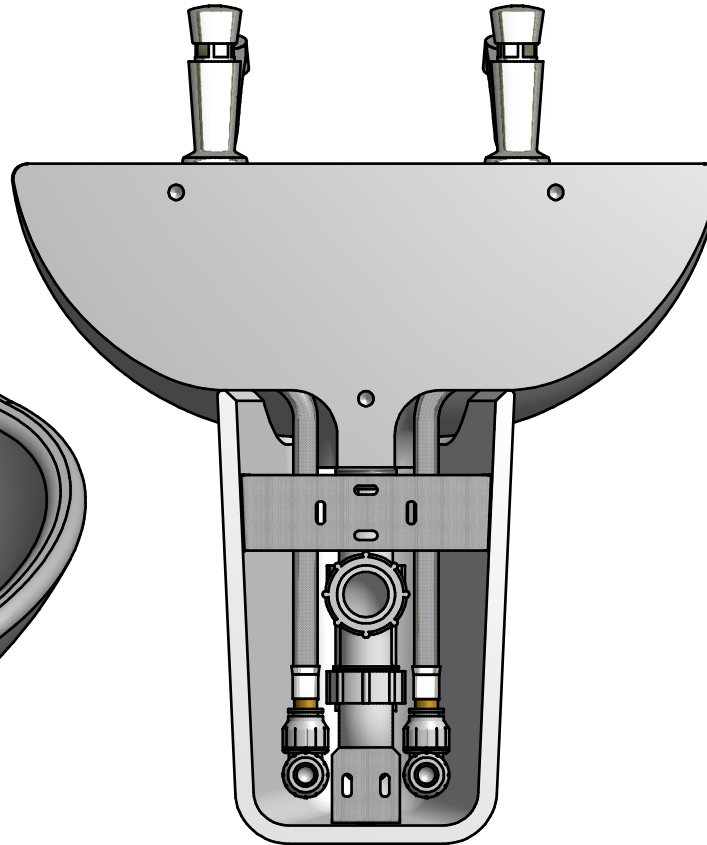
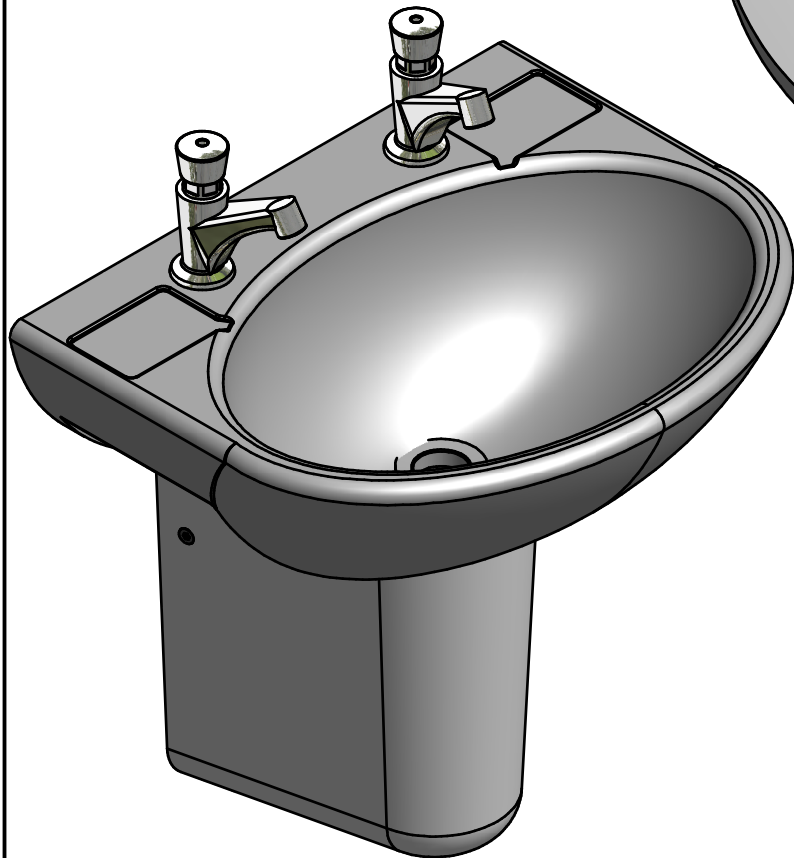
A4 **3rd**

NOTES:

1. THE SHROUD IS 12mm THICK AND WEIGHS 3.5KG

REVISION HISTORY

REV	DATE	DESCRIPTION	BY	CHKD
2	12/12/2012	SHEET 1 CHANGED	RD	



© 2011 Copyright THIS DRAWING IS THE PROPERTY OF WALLGATE LIMITED AND IS ISSUED ON THE STRICT UNDERSTANDING THAT THE INFORMATION CONTAINED WILL NOT BE REPRODUCED, COPIED OR USED WITHOUT PRIOR AGREEMENT OF WALLGATE LTD.

Wallgate

TITLE: SHB_05 BASIN WITH SHBS01 SHROUD

MATERIAL:

Drg No: SHBS01 WITH SHB_05 SHEET 2

FINISH:

Model/Client/Project:

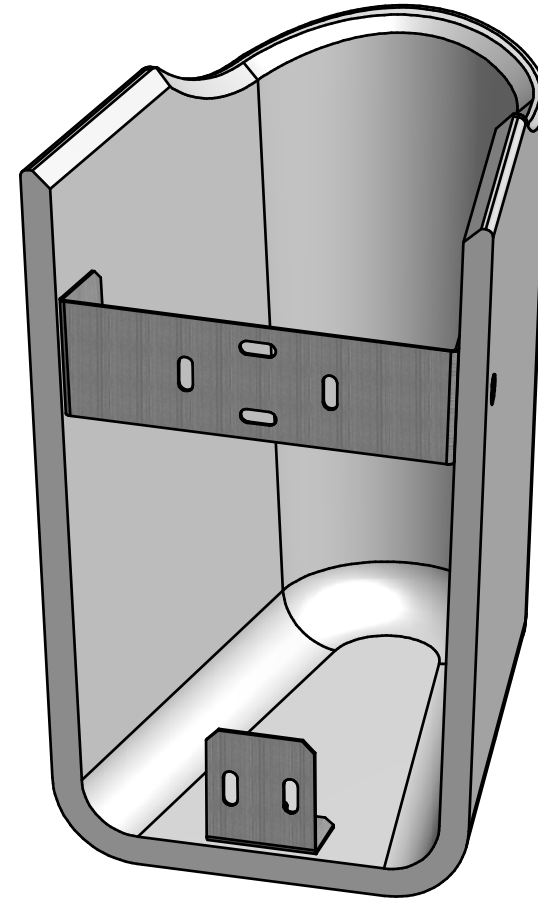
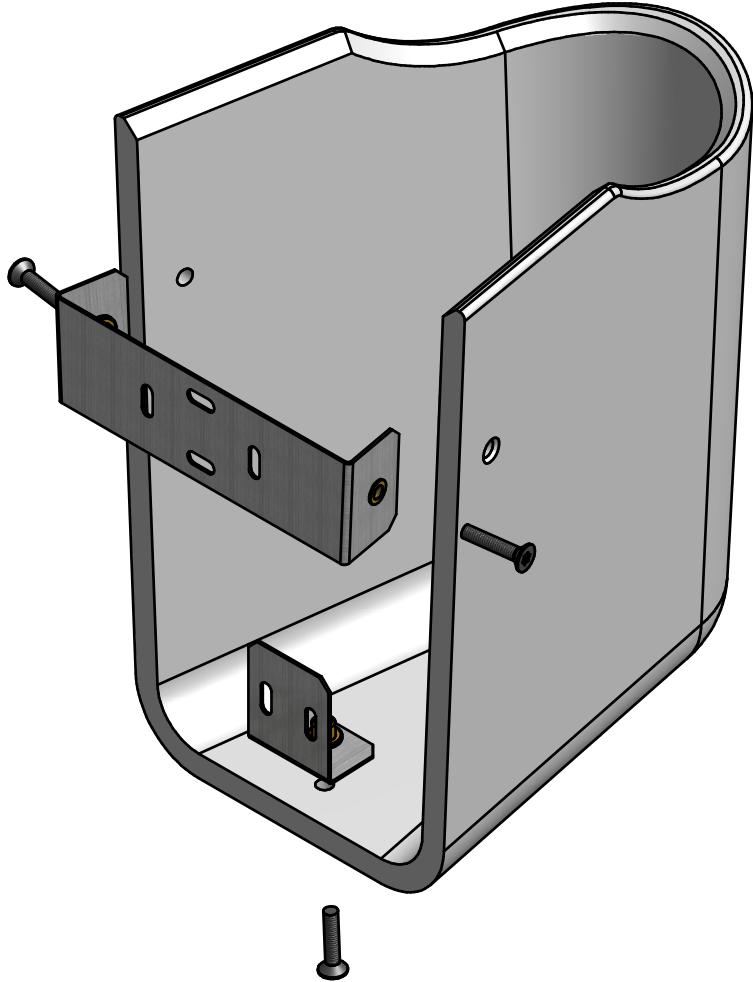
Limits: (unless stated)
 ± 0.25mm (sheetmetal)
 ± 0.10mm (machined)
 ± 2.00mm (pattern)
 ± 5.00mm (moulded)

All dimensions in mm,
 All angles 90° (unless stated)

Scale: NTS

A4 3rd

REVISION HISTORY				
REV	DATE	DESCRIPTION	BY	CHKD
2	12/12/2012	SHEET 1 CHANGED	RD	



© 2011 Copyright THIS DRAWING IS THE PROPERTY OF WALLGATE LIMITED AND IS ISSUED ON THE STRICT UNDERSTANDING THAT THE INFORMATION CONTAINED WILL NOT BE REPRODUCED, COPIED OR USED WITHOUT PRIOR AGREEMENT OF WALLGATE LTD.

Wallgate

TITLE: SHBS01 SHROUD AND BRACKETS

Drg No: SHBS01 WITH SHB_05 SHEET 3

Model/Client/Project:

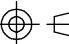
MATERIAL:

FINISH:

Limits: (unless stated)
 ± 0.25mm (sheetmetal)
 ± 0.10mm (machined)
 ± 2.00mm (pattern)
 ± 5.00mm (moulded)

All dimensions in mm,
 All angles 90° (unless stated)

Scale: NTS

A4  **3rd**