




galvinspecialised
commercial taps + fixtures

GalvinEngineering 

**Smart Bluetooth
Water Solutions
for a Healthier
Environment**

As a family owned and operated Australian manufacturing company that has been around for over 90 years, we have assisted in the design and delivery of hundreds of projects in education, health, mental health, assisted care and corrections markets around Australia, gaining extensive experience in providing specialised tapware and bathroom solutions.

Our product range encompasses electronic, handsfree, lead safe, scald protection, anti-vandal and anti-ligature tapware represented by trusted specialist brands like CliniLever®, CliniMix®, Flowmatic®, GalvinCare® and Safe-Cell®. Products under each brand have been designed to assist facility managers, students, staff, patients and residents in their day to day lives mastering the many challenges such as water wastage, vandalism, spread of bacteria (ie Legionella), scalding or self-harm that can occur in a school or healthcare environment.

Always looking for new ways to improve our product offering to provide safe and efficient water solutions we are proud to introduce our Galvin Smart Bluetooth range.

Bluetooth and its Benefits

Bluetooth is a short-range wireless technology standard, that is used for exchanging data between fixed and mobile devices over short distances using UHF radio waves and building personal area networks (PANs). This allows to replace the cables commonly connecting electronic devices enabling users to access and program their tapware remotely via their mobile device.

While the technology is probably best known through wireless headphones and speakers it's used for all kinds of wireless devices we use every day. Garden irrigation systems might not be top of mind when talking about Bluetooth, but the technology surely has revolutionised watering. Taking full control of your tapware via your mobile device from the convenience of your lounge room makes your garden look healthy a whole lot easier.

Benefits of Bluetooth are:

- Devices communicate directly with each other, rather than through a wireless router
- Power use is extremely low, improving battery life of devices
- Elimination of interferences with other wireless communications technologies

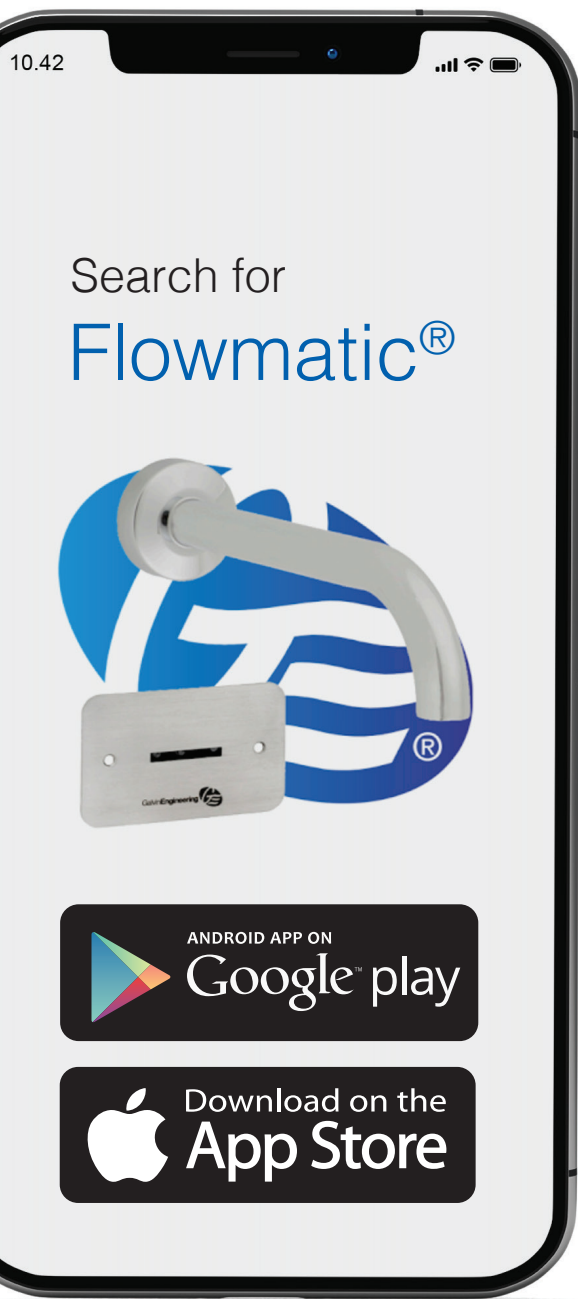


th

ANNIVERSARY

90 years of Australian manufacturing





How does it work?

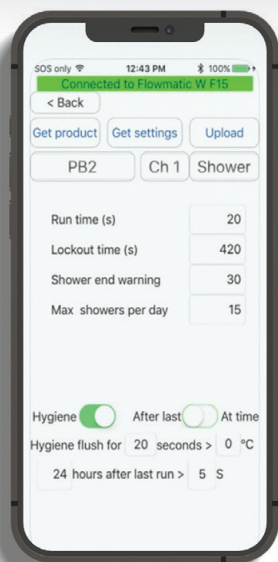
Our Smart Bluetooth Water Solutions have been specifically designed to assist facility managers to easier meet National enHealth Guidelines for Legionella Control. Manage your tapware efficiently without causing interruptions to patient care or the need to remove sensor panels or control boxes from walls and ceilings, while continuously tracking every detail from water usage to the number of activations.

The Galvin Smart Bluetooth Solutions combine:

- the Flowmatic® app; and
- a selection of high quality Galvin Smart Bluetooth enabled tapware and valves

The Flowmatic® app

Our easy to use centralised platform allows the building manager to gain real-time access to water usage data for the entire building. With Bluetooth activation and remote flushing automation, the Flowmatic® app allows users to alter individual tapware settings from any hand-held device, driving efficiencies such as cleaning and maintenance resourcing.



Access to a variety of reports at their fingertips, including access to historical usage data, allows for informed and fast decision making to keep water usage at a minimum, while improving water quality and uptime.

The Galvin Flowmatic® app integrates seamlessly with our Bluetooth enabled product range for acute clinical settings, dirty utilities, showers and toilets and can be used for any building that requires smarter water management.

The app allows you to have full control over:

Water usage

set optimal Run duration, Lockout time and Daily Activation setting for each fixture or zone

Cleaning/Maintenance schedule

set Hygiene Flush recurrence, duration and temperature



Your Benefits

Choosing the Galvin Bluetooth product range offers you:



New hygiene heights

Durable and hardwearing easy to clean stainless steel surfaces ensuring highest hygiene standards.



Innovative customised self-purging hygiene flush

Allows facility managers to commission and program individual taps to flush out stagnant water more frequently in low use areas, minimising the risk of bacteria growth in the supply lines.



Smart Bluetooth technology

The simple software interface allows for easy programming, monitoring and improving of a building tapware network.



Sustainability made easy

Building manager has full control over tapware performance. The Flowmatic® app enables to fine tune fixtures to suit individual needs and improve overall building sustainability.



Handsfree operations

Preventing cross-contamination through contact, minimising the spread of infection.



Reduced airborne infections

Laminar flow tapware inserts prevent contaminated air from entering the water stream, while sealed face plates prevent water from entering wall cavities and air from entering sterile areas.



Cost saving building upgrades

Facilities can be upgraded with suitable retrofit tapware options without the need for major plumbing works or causing interruptions.



Peace of mind

Access to historical data like hygiene flush time logs for easy enHealth compliance.

All our products are WaterMark certified and our spouts are available as WELS 4* 7 litres and WELS 5* 5.5 litres.



Product Range

Basin/Sink Solutions
(wall mounted)

Shower Solutions
(AS1428.1 compliant)

Toilet Flushing Solutions

Basin/Sink Solutions (wall mounted)

Sensor taps allow for hand washing that is completely touch free which makes them perfect for use in hospitals, healthcare facilities and in food preparation areas.

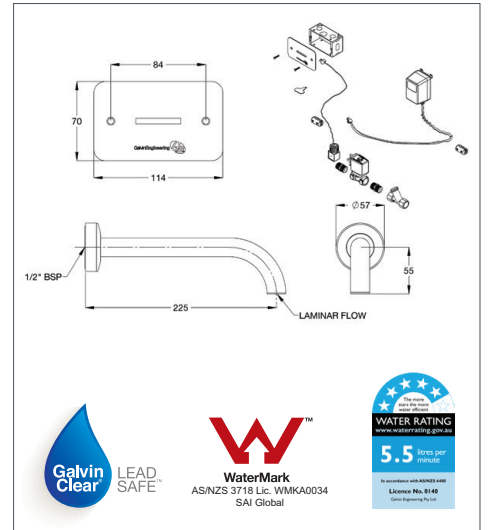
The positioning of the sensor in the upper right hand of the spout enables an efficient washing from hands to elbows. This follows clinical handwashing hygiene protocols which are particularly important for surgical scrub wash stations where a strict no touch rule is imperative.

We offer wave-on/wave-off, proximity and wave-on only sensor options to suit your specific needs.



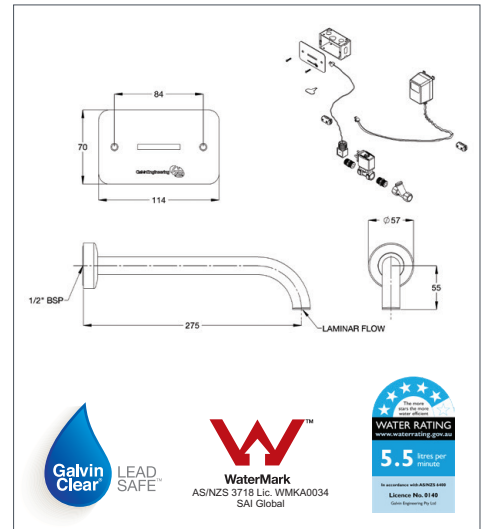
TZ-FLOWTAPC225

Flowmatic® Concealed
Sensor Assembly with
SS Face Plate & CliniLever®
Fixed Wall Outlet 225



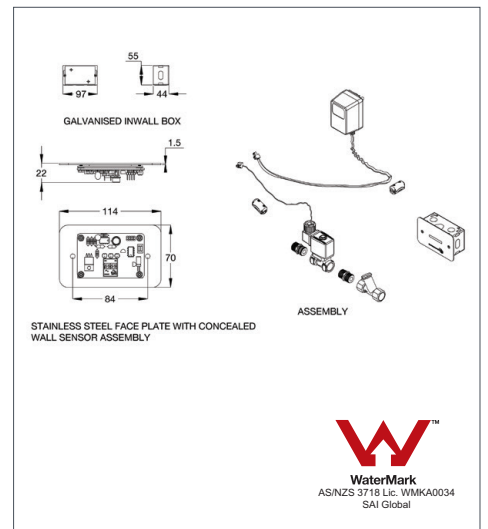
TZ-FLOWTAPC275

Flowmatic® Concealed
Sensor Ass w/ SS Face Plate
& CliniLever® Fixed Wall
Outlet 275



TZ-FLOWTAPC24

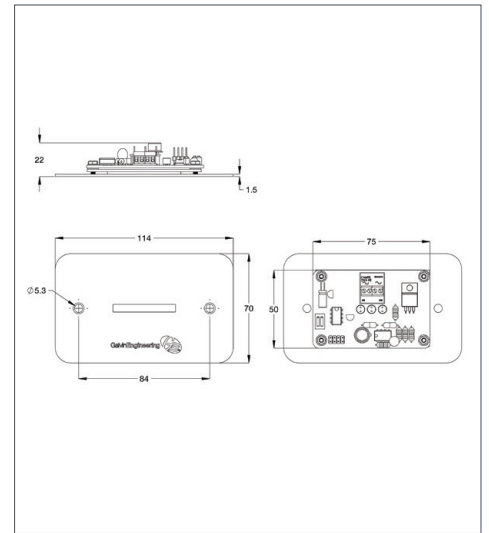
Flowmatic® Automatic
Concealed Sensor Ass 24v AC
for Basin/Sink with Stainless
Steel Face Plate





TZ-FLOWSENC24

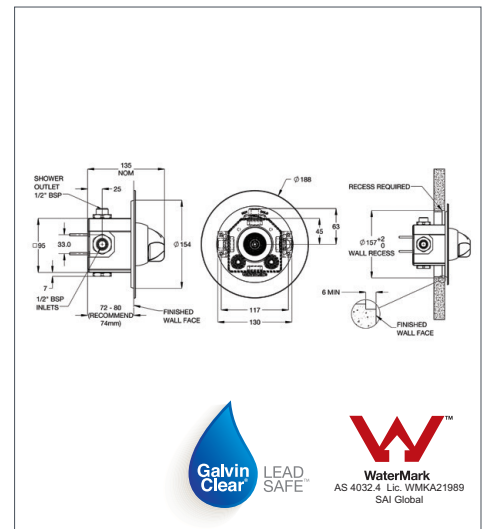
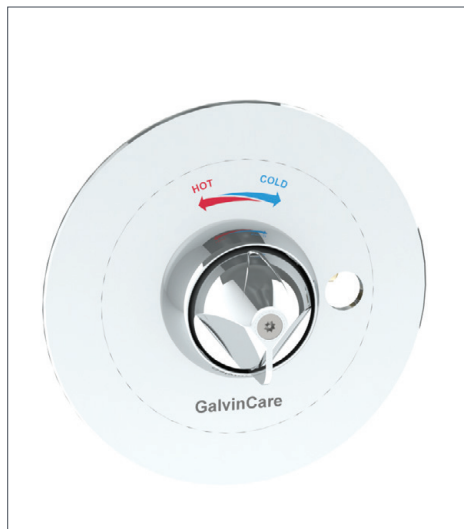
Flowmatic® SS Face Plate with Concealed 24v AC Wall Sensor for TZ-FLOWTAPC24



Shower Solutions (AS1428.1 compliant)

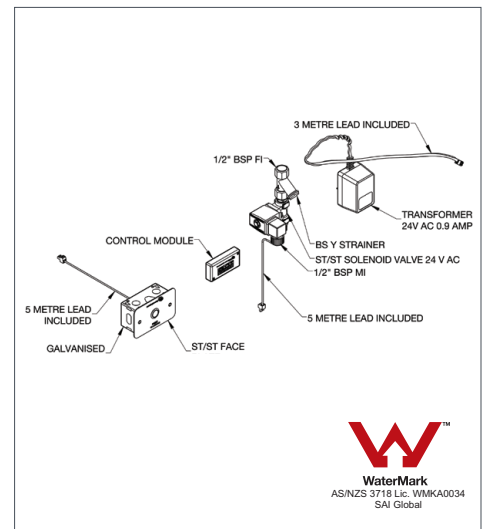
100.50.76.02

CliniMix® Lead Safe™ Inwall Thermostatic Progressive Shower Mixer with GalvinCare® Handle – Electronic



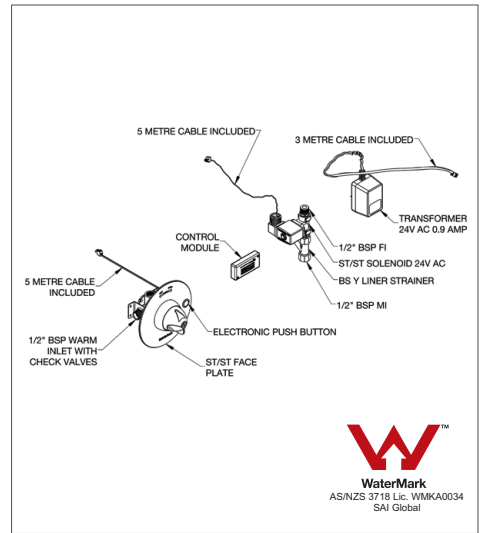
TZ-FLOWTBAS1IN

Safe-Cell® Electronic Prison Concealed Single Temp Basin Assembly with Controller



TZ-FLOWTMSHWINR

GalvinCare® Electronic Mental Health Conceal Shower Mixer w/ GalvinCare Handle & Controller

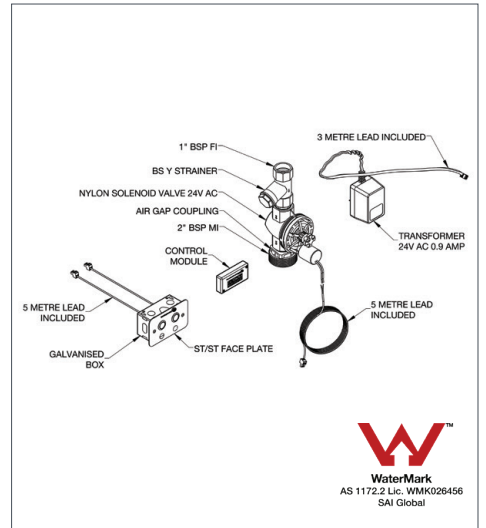


Toilet Flushing Solutions



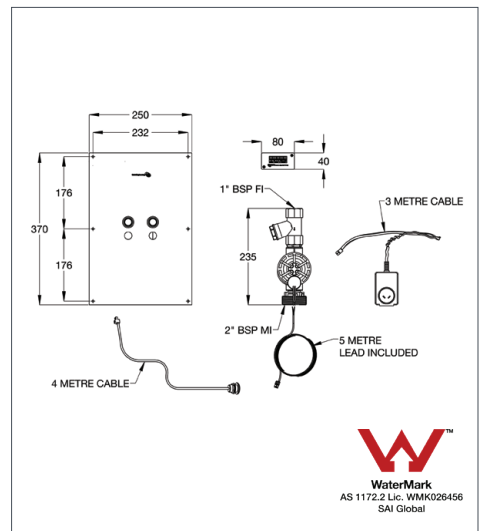
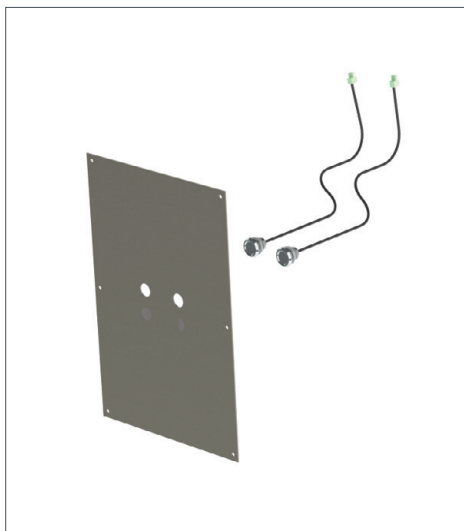
TZ-FLOWTPANMIN

Safe-Cell® Electronic Dual Flush Pan Assembly with Controller (Concealed)






TZ-FLOWTPANMAX

Flowmatic® Concealed Inwall Dual Flush Pan Assembly for Mains Power with Controller



We design, manufacture and supply safe, green and smart water solutions for high risk and high care environments.

 1300 514 074
 sales@galvinengineering.com.au
 galvinengineering.com.au

- Australia
- New Zealand
- UK
- USA

© CliniLever, CliniMix, Flowmatic, GalvinCare, GalvinClear, Galvin Engineering, Galvin Specialised, Safe-Cell All rights reserved.
 ™ Lead Safe. © Galvin Engineering Pty Ltd



Whilst all reasonable care has been taken in compiling the information in this document, the designs, dimensions and products shown are indicative only and should not be relied upon without prior approval. Due to our policy of continuous development, we reserve the right to alter any details of specifications or products without notice. All information, drawings, technical specifications and product designs remains the property of Galvin Engineering Pty Ltd.