

# CliniMix® Progressive Thermostatic Inwall Shower Mixer with GalvinCare Anti-ligature Handle

Specification Data Sheet



*\*Design of face plate to match designers requirements*

## To Specify

This new design may be used in shower applications and, provides state of the art features to comply with healthcare requirements.

The GalvinCare lever handle operates on/off temperature controls for straight forward operation.

Suitable for high and low pressure systems it can be set to deliver a thermostatically controlled water temperature of 45°C maximum.

Code:

**WM-TMVPMSCS** - CliniMix® Inwall Progressive Shower Thermostatic Mixer with GalvinCare Handle.

## Standard Features

- Enables water to be mixed closer to the point of discharge, minimising stagnant warm water which provides ideal conditions legionella bacteria to grow.
- Smooth internal components and body, reduces scale build-up and bacteria growth
- Maximum temperature limiter fitted for protection from accidental scalding.
- The GalvinCare control handle is easy to use, and minimises ligature risk.
- Water flow starts from cold ensuring safe usage.
- Clean smooth lines which facilitates fast and easy cleaning and coordinate well our current ranges of healthcare taps
- All servicing and commissioning can be done without removing the device. Easy access isolators, help minimise time spent on commissioning and maintenance.
- Designed to provide stable mixed temperature with rapid shut down in the event of cold or hot water supply failure.
- Approved to: AS/NZS 4032.1:2005 and complies with AS/NZS 4032.4



A family  
owned  
Australian  
business

  
**galvin**specialised  
commercial taps + valves

## Specification for TMV

This mixer is designed to be installed on all types of plumbing systems.

Hot and cold water supply pressures should be reasonably balanced, however, the mixer will function within specification on unequal pressures up to 10:1.

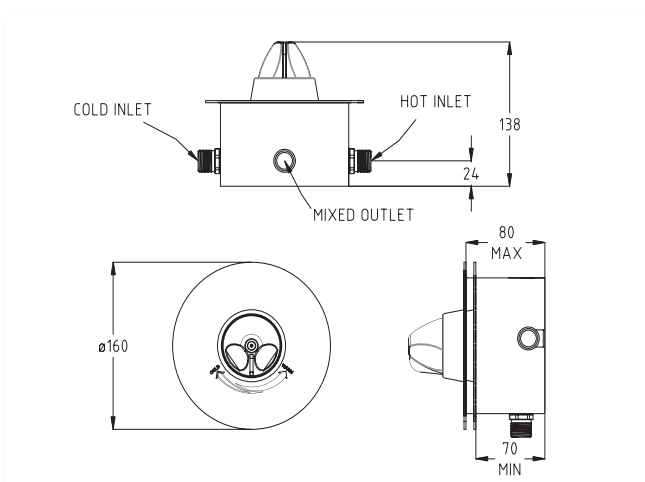
The mixer has integral isolating valves which permit servicing of the strainer, check valve/flow regulator and thermostatic cartridge. The minimum pressure for the correct thermal operation is 20kPa. However, in order to achieve an acceptable flow performance at very low pressures it may be necessary to remove the combined check valve and flow regulators and replace them with simple check valves to facilitate thermal disinfection.

Hot Temperature Supply Range	55°C - 85°C
Cold Temperature Supply Range	5°C - 25°C
Adjustable Temperature	35°C - 45°C
Operating Working Pressure	20 - 500*kPa
Maximum Outlet Pressure*	500 kPa
Permitted Supply Pressure Variation	10:1
Operating Thermostatic Temp. Range*	Full cold - 45°C
Factory Set Thermostatic Temp. Range	39°C - 41°C
Maximum Thermostatic Temperature	45°C
Minimum Flow Rate	2 L/minute
Maximum Flow Rate	15.5 L/minute

Table 1. Technical Information

\*In accordance with AS/NZ3500 Ensure tap ware must be installed in accordance with the provisions of AS/NZS 3500. Installations not complying with AS/NZS 3500 may void the product and performance warranty provisions

## Typical Dimensions



Whilst all reasonable care has been taken in compiling the information in this document, the designs, dimensions and products shown are indicative only and should not be relied upon without our prior approval. Due to our policy of continuous development, we reserve the right to alter any details of specifications or products without notice. All information, drawings, technical specifications and product designs remains the property of Galvin Engineering Pty Ltd.

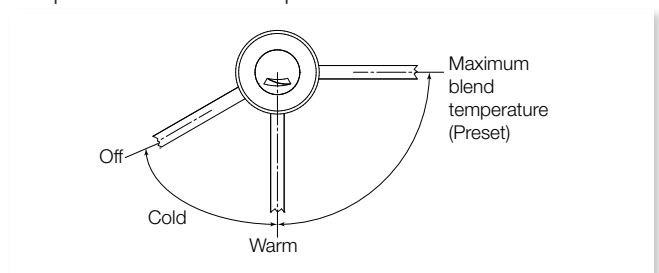
## Performance Standards & Approvals

- AS 4032.1 – WaterMark



## Operation

As the handle is rotated anti-clockwise from the off position the delivered water progresses from cold through warm to the preset maximum temperature.



Illustrated is handle control positions.

## Maintenance & Cleaning

Galvin Specialised products should be cleaned with a soft damp cloth using only mild liquid detergent or soap and water. Do not use cleaning agents containing a corrosive acid, scouring agent or solvents. Do not use cream cleaners, as they are abrasive. Use of unsuitable cleaning agents may damage the surface. Any damage caused in this way will not be covered by warranty.

Regular maintenance should be carried out in accordance with the installation and troubleshooting guides provided with the product, relevant Australian Standards, local authorities and state codes.

## Warranty

Galvin Specialised products are covered under our Manufacturer's Warranty at [www.galvinengineering.com.au](http://www.galvinengineering.com.au). Galvin Specialised products must be installed in accordance with the installation instructions and in accordance with AS3500 and the PCA, relevant Australian Standards and local authorities applicable to product being installed. Water and electrical supply conditions must also comply to the applicable national and/or state standards, failing to comply with these provisions may void the product warranty and affect performance of the product.

410 Victoria Rd, Malaga, WA 6090  
 Within Australia: **1300 514 074** Outside Australia: P: +61 (0)8 9249 5900  
 F: +61 (0)8 9249 5916  
[sales@galvinengineering.com.au](mailto:sales@galvinengineering.com.au)  
[www.galvinengineering.com.au](http://www.galvinengineering.com.au)

ABN: 78 008 719 382

PERTH | SYDNEY | MELBOURNE | BRISBANE | ADELAIDE

A business unit of

**GalvinEngineering**   
 the mark of reliability