

CliniSafe® Mental Health Diverter Assembly

Specification Data Sheet



Description

Galvin Specialised - Code #50140

CliniSafe™ Mental Health Diverter Assembly with Assisted Paddle Handle.

The diverter assembly has been designed to suit behavioural health showering facilities, enabling carers or patients to divert the water flow from one shower outlet to another, for example a fixed shower head to our removable hand held shower assembly providing greater flexibility for both patients and carers.

Performance Standards & Approvals

- AS/NZS 3718 – WaterMark



A family
owned
Australian
business



Features Include

- Unique design concept that eliminates the institutional look and provides anti-ligature features and vandal resistant compliance
- Easy operation allows the diverter to be activated with your palm or fingers
- Polished Stainless Steel finish gives a homely look while still being able to withstand heavy knocks

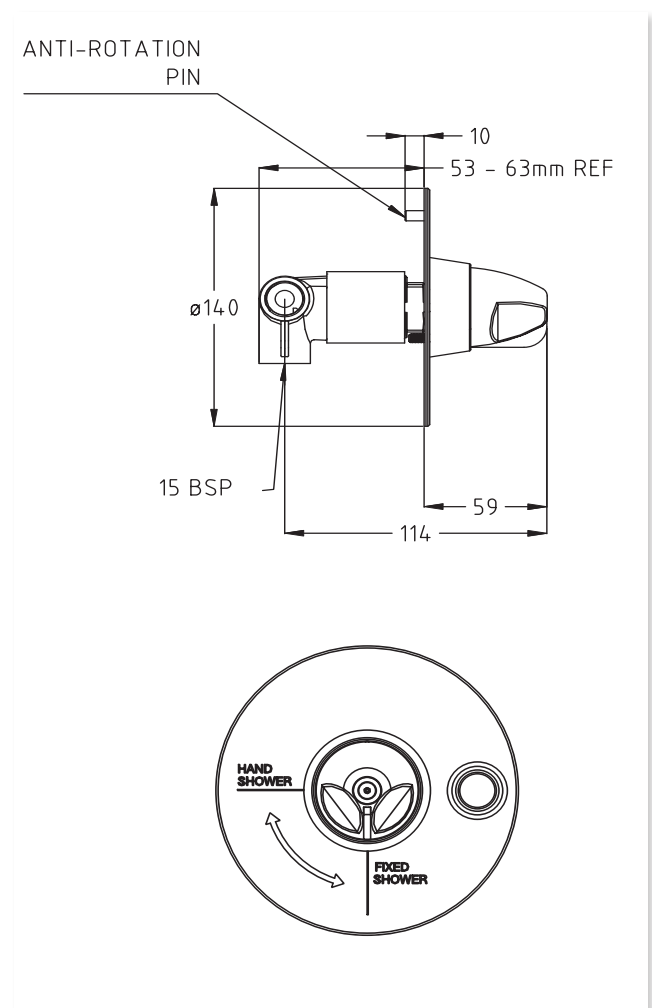
Maintenance

Refer to detailed maintenance, commissioning and installation instruction

Warranty

Galvin Engineering's Tapware products, unless specified otherwise have a 1 year warranty: excludes damage to headworks from pieces of copper tube, plastic tube, sand, dirt or thread tape etc. Water conditions must comply with national standards and all headworks or valves will be subject to annual maintenance procedures. All warranties are subject to terms and conditions.

Typical Dimensions



Whilst all reasonable care has been taken in compiling the information in this document, the designs, dimensions and products shown are indicative only and should not be relied upon without our prior approval. Due to our policy of continuous development, we reserve the right to alter any details of specifications or products without notice. All information, drawings, technical specifications and product designs remains the property of Galvin Engineering Pty Ltd.

410 Victoria Rd, Malaga, WA 6090

Within Australia: **1300 514 074** Outside Australia: P: +61 (0)8 9249 5900

F: +61 (0)8 9249 5916

sales@galvinspecialised.com.au

www.galvinspecialised.com.au

ABN: 78 008 719 382

PERTH | SYDNEY | MELBOURNE | BRISBANE | ADELAIDE

A business unit of

GalvinEngineering 
the mark of reliability