

CliniSafe™ Anti-Ligature Shower Valve with Electronic Activator

Specification Data Sheet



Description

Galvin Specialised - Code #42028

CliniSafe™ Clini-Safe Anti-Ligature Shower Valve with Electronic Activator.

This unique new product has been designed to use in shower applications in behavioural health facilities, providing a normal as possible look and feel. It operates similar to a household lever mixer, without the lever and assists in providing a safe environment for patients, by minimising ligature points in the shower cubicle.

Performance Standards & Approvals

- AS/NZS 3718 – WaterMark



WaterMark
AS/NZS 3718 Lic. WMKA0034
SAI Global



A family
owned
Australian
business


galvinspecialised
commercial taps + valves

Features Include

- Unique design concept that eliminates the institutional look and provides anti-ligature features and vandal resistant compliance
- Easy operation allows the shower to be activated with your palm or fingers
- Polished Stainless Steel finish for a homely look, but is able to withstand heavy knocks
- Easy temperature blending and operation to ensure comfort and safety for the user
- Bevelled edges for maximum tight fixing
- Flowmatic options of electronic controllers include timed flow, flow restriction and lockout programs (when requested)

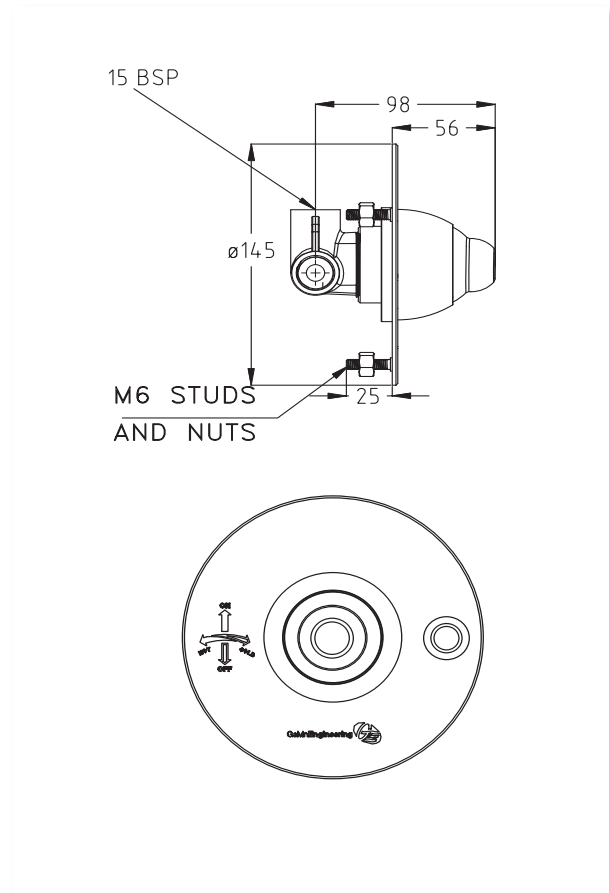
Maintenance

Refer to detailed maintenance, commissioning and installation instruction

Warranty

Galvin Engineering's Tapware products, unless specified otherwise have a 1 year warranty: excludes damage to headworks from pieces of copper tube, plastic tube, sand, dirt or thread tape etc. Water conditions must comply with national standards and all headworks or valves will be subject to annual maintenance procedures. All warranties are subject to terms and conditions.

Typical Dimensions



Whilst all reasonable care has been taken in compiling the information in this document, the designs, dimensions and products shown are indicative only and should not be relied upon without our prior approval. Due to our policy of continuous development, we reserve the right to alter any details of specifications or products without notice. All information, drawings, technical specifications and product designs remains the property of Galvin Engineering Pty Ltd.

410 Victoria Rd, Malaga, WA 6090

Within Australia: **1300 514 074** Outside Australia: P: +61 (0)8 9249 5900

F: +61 (0)8 9249 5916

sales@galvinspecialised.com.au

www.galvinspecialised.com.au

ABN: 78 008 719 382

PERTH | SYDNEY | MELBOURNE | BRISBANE | ADELAIDE

A business unit of

GalvinEngineering 
the mark of reliability