

Safe-Cell® Vandal Resistant Shower Rose Assembly

Specification Data Sheet



Technical Information

- Bright chrome plated
- Front or rear fitted
- 3 star WELS rating
- 1/2 BSP female
- 100 - 500 kPa
- 5 L/min

To Specify

The AS/NZS 3718 WaterMark Approved Safe-Cell® Vandal Resistant Shower complies to AS6400-2005 WELS rated to 3 stars (5L/Min) and is supplied standard in bright chrome finish.

Code:

40691 - Chrome Plated Safe-Cell® Vandal Resistant Shower Rose 65 Std



A family
owned
Australian
business



galvinspecialised
commercial taps + valves

Construction

The shower is constructed of solid DR Brass with SafeCell® vandal resistant face screws.

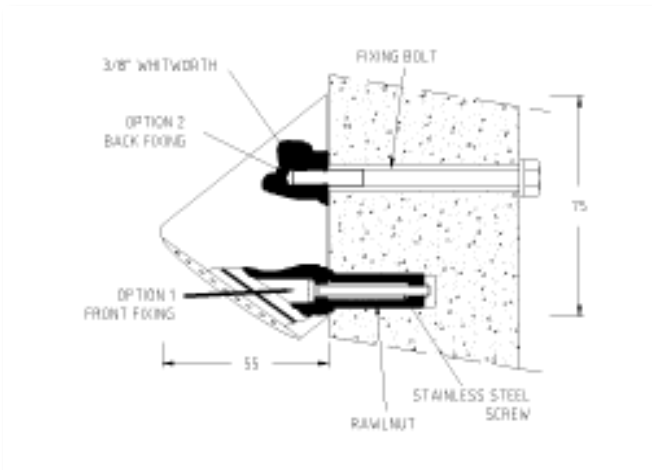
Fixing plate from stainless steel.

Performance Standards & Approvals

- AS/NZS 3718 – WaterMark
- WELS 3 Star (5 Litres Per Minute)



Typical Dimensions



Illustrated is a 40691

Features

- Anti-ligature design
- Bright chrome finish.

Maintenance

Chrome Plated Tapware should be cleaned with a soft damp cloth using only mild liquid detergent or soap and water. Do not use cleaning agents containing a corrosive acid, scouring agent or solvents. Do not use cream cleaners, as they are abrasive.

Use of unsuitable cleaning agents may damage the surface. Any damage caused in this way will not be covered by warranty.

If regreasing spindles, always use a silicon based potable water approved lubricant.

Galvin Engineering tapware must be installed in accordance with the provisions of AS/NZS 3500. Installations not complying with AS/NZS 3500 may void the product and performance warranty provisions.

Warranty

Galvin Engineering's SafeCell® Tapware products, unless specified otherwise have a 1 year warranty: excludes damage to ceramic disc cartridges from pieces of copper tube, plastic tube, sand, dirt or thread tape etc. Water conditions must comply with national standards and all ceramic or valves will be subject to annual maintenance procedures. Please refer to our Manufacturers Warranty at www.galvinspecialised.com.au for full detail.

Whilst all reasonable care has been taken in compiling the information in this document, the designs, dimensions and products shown are indicative only and should not be relied upon without our prior approval. Due to our policy of continuous development, we reserve the right to alter any details of specifications or products without notice. All information, drawings, technical specifications and product designs remains the property of Galvin Engineering Pty Ltd.

410 Victoria Rd, Malaga, WA 6090
 Within Australia: **1300 514 074** Outside Australia: P: +61 (0)8 9249 5900
 F: +61 (0)8 9249 5916
sales@galvinspecialised.com.au
www.galvinspecialised.com.au

ABN: 78 008 719 382

PERTH | SYDNEY | MELBOURNE | BRISBANE | ADELAIDE

A business unit of

GalvinEngineering
 the mark of reliability